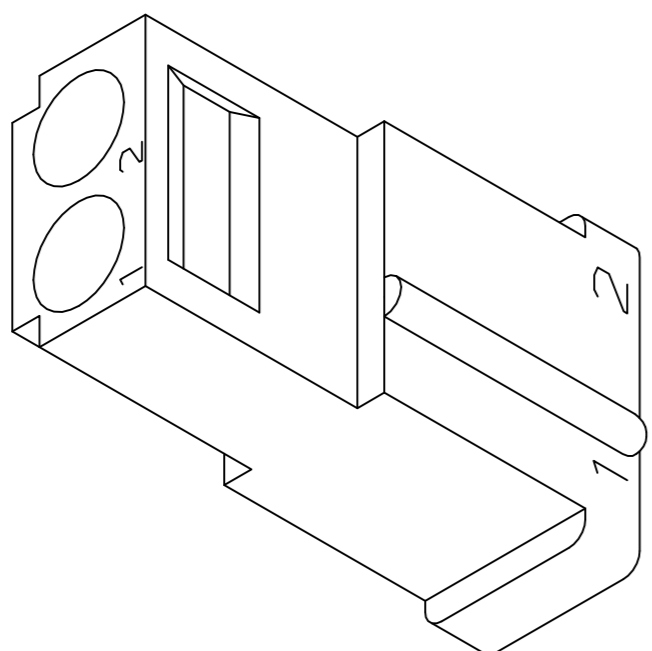
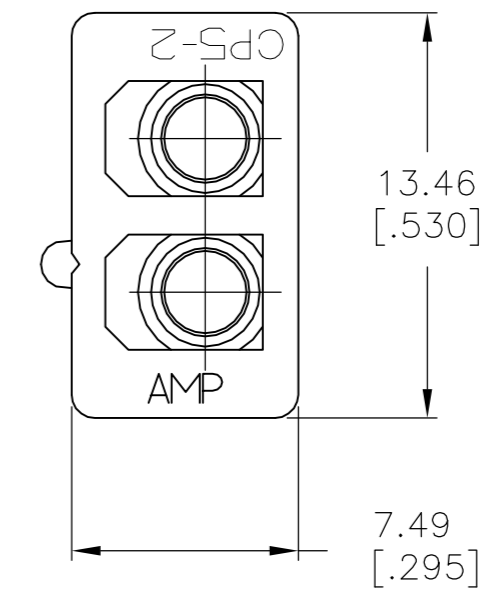
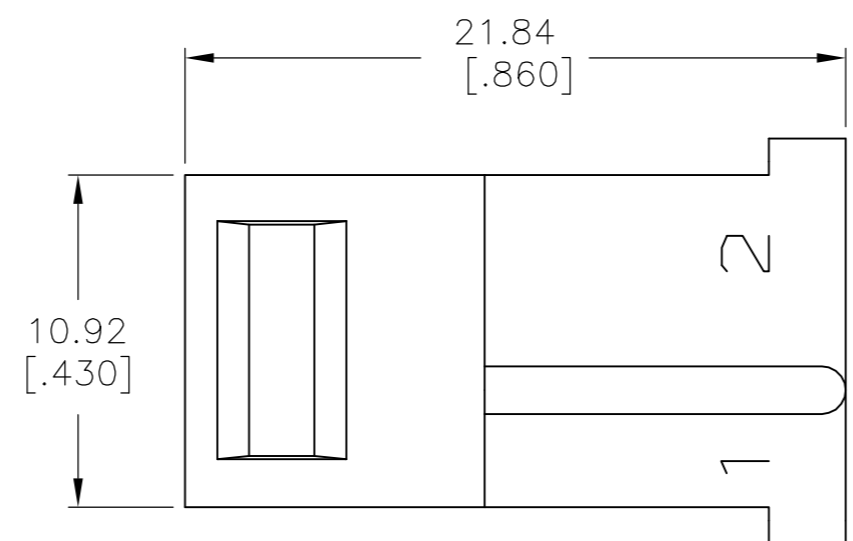
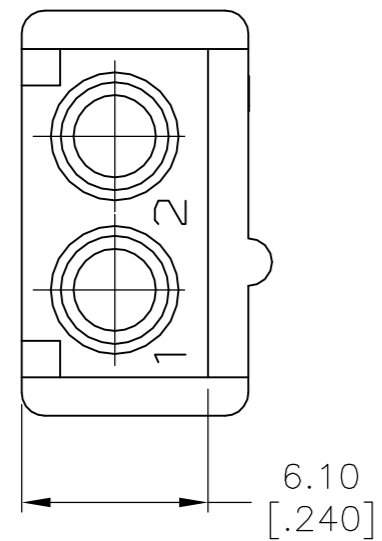


THIS DRAWING IS UNPUBLISHED. RELEASED FOR PUBLICATION
 © COPYRIGHT - By - ALL RIGHTS RESERVED.

LOC		DIST		REVISIONS			
P	LTR	DESCRIPTION		DATE	DWN	APVD	
CM	0	S2		REVISED PER ECR 12-000628	11JAN12	JR	TM

- 1 THIS PLUG TO BE USED WITH CAP NO. 480319.
- 2 TO BE USED WITH APPROPRIATE COMMERCIAL MATE-N-LOK™ SOCKETS.
- 3 DIMENSIONS IN BRACKETS ARE IN INCHES.



3-DIMENSIONAL MODELS
NTS

METRIC

NATURAL UL94V-0	2-480318-0
BLACK UL94V-2	1-480318-9
YELLOW UL94V-2	1-480318-4
NATURAL UL94V-2	1-480318-0
COLOR	PART NUMBER

THIS DRAWING IS A CONTROLLED DOCUMENT.		DWN	K. WHITAKER	04NOV2005		TE Connectivity																										
DIMENSIONS: mm [INCHES]		CHK	D. COLEY	04NOV2005		NAME																										
TOLERANCES UNLESS OTHERWISE SPECIFIED:		APVD	D. COLEY	04NOV2005		PLUG, 2 CIRCUIT, COMMERCIAL MATE-N-LOK (TM)																										
<table border="0"> <tr><td>0 PLC</td><td>±</td><td>-</td></tr> <tr><td>1 PLC</td><td>±</td><td>-</td></tr> <tr><td>2 PLC</td><td>±</td><td>0.13[.005]</td></tr> <tr><td>3 PLC</td><td>±</td><td>-</td></tr> <tr><td>4 PLC</td><td>±</td><td>-</td></tr> <tr><td>ANGLES</td><td>±</td><td>-</td></tr> <tr><td>FINISH</td><td>±</td><td>-</td></tr> </table>		0 PLC	±	-		1 PLC	±	-	2 PLC	±	0.13[.005]	3 PLC	±	-	4 PLC	±	-	ANGLES	±	-	FINISH	±	-	PRODUCT SPEC	-	SIZE	A2	CAGE CODE	00779	DRAWING NO	C=480318	RESTRICTED TO
0 PLC	±	-																														
1 PLC	±	-																														
2 PLC	±	0.13[.005]																														
3 PLC	±	-																														
4 PLC	±	-																														
ANGLES	±	-																														
FINISH	±	-																														
MATERIAL	-	APPLICATION SPEC	-	WEIGHT	-	SCALE	4:1	SHEET	1 of 1	REV	S2																					
CUSTOMER DRAWING																																

480318